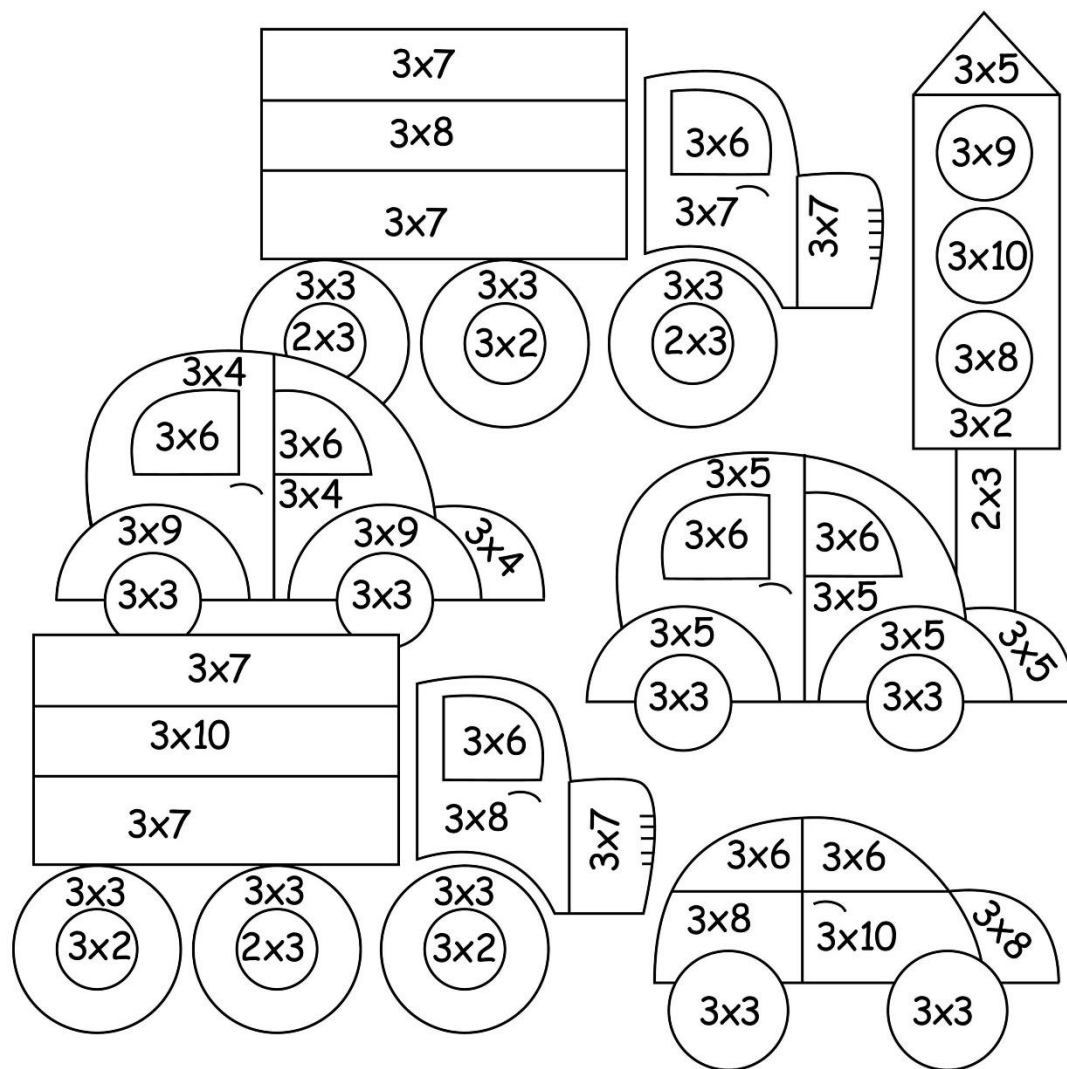


Prénom : _____

Date : _____



- $3 \times 2 = 6$
- $3 \times 3 = 9$
- $3 \times 4 = 12$
- $3 \times 5 = 15$
- $3 \times 6 = 18$
- $3 \times 7 = 21$
- $3 \times 8 = 24$
- $3 \times 9 = 27$
- $3 \times 10 = 30$

- 6
- 9
- 12
- 15
- 18
- 21
- 24
- 27
- 30